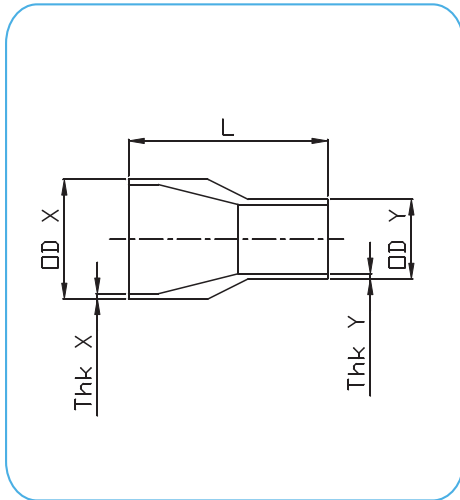
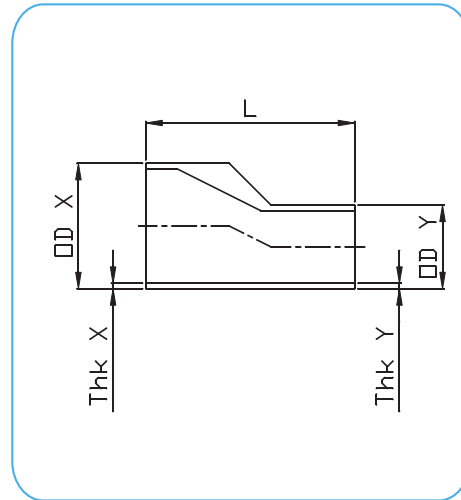


31W - 32W Automatic Tube Weld Reducers ASME BPE



31W - CONCENTRIC REDUCER
BW x BW ASME BPE
DT-4.1.3-1



32W - ECCENTRIC REDUCER
BW x BW ASME BPE
DT-4.1.3-1

31W CONCENTRIC REDUCER code	32W ECCENTRIC REDUCER code	Size	OD _x X Thk _x (mm)	OD _y X Thk _y (mm)	L (mm)
31W-A075X050-13A	32W-A075X050-13A	3/4" x 1/2"	19.05 x 1.65	12.7 x 1.65	54
31W-A100X050-13A	32W-A100X050-13A	1" x 1/2"	25.4 x 1.65	12.7 x 1.65	63.5
31W-A100X075-13A	32W-A100X075-13A	1" x 3/4"	25.4 x 1.65	19.05 x 1.65	54
31W-A150X075-13A	32W-A150X075-13A	1 1/2" x 3/4"	38.1 x 1.65	19.05 x 1.65	76.2
31W-A150X100-13A	32W-A150X100-13A	1 1/2" x 1"	38.1 x 1.65	25.4 x 1.65	63.5
31W-A200X100-13A	32W-A200X100-13A	2" x 1"	50.8 x 1.65	25.4 x 1.65	85.7
31W-A200X150-13A	32W-A200X150-13A	2" x 1 1/2"	50.8 x 1.65	38.1 x 1.65	63.5
31W-A250X150-13A	32W-A250X150-13A	2 1/2" x 1 1/2"	63.5 x 1.65	38.1 x 1.65	85.7
31W-A250X200-13A	32W-A250X200-13A	2 1/2" x 2"	63.5 x 1.65	50.8 x 1.65	63.5
31W-A300X150-13A	32W-A300X150-13A	3" x 1 1/2"	76.2 x 1.65	38.1 x 1.65	108
31W-A300X200-13A	32W-A300X200-13A	3" x 2"	76.2 x 1.65	50.8 x 1.65	85.7
31W-A300X250-13A	32W-A300X250-13A	3" x 2 1/2"	76.2 x 1.65	63.5 x 1.65	66.7
31W-A400X200-13A	32W-A400X200-13A	4" x 2"	101.6 x 2.10	50.8 x 1.65	130.2
31W-A400X250-13A	32W-A400X250-13A	4" x 2 1/2"	101.6 x 2.10	63.5 x 1.65	108
31W-A400X300-13A	32W-A400X300-13A	4" x 3"	101.6 x 2.10	76.2 x 1.65	98.4
31W-A600X300-13A	32W-A600X300-13A	6" x 3"	152.4 x 2.80	76.2 x 1.65	184.2
31W-A600X400-13A	32W-A600X400-13A	6" x 4"	152.4 x 2.80	101.6 x 2.10	142.9

Technical Information:

Connections: Tri-Clamp according to ASME BPE [latest ed.]

Material: AISI 316L – 1.4404

Internal Surface Finish: SF1 Ra<=0.5µm → code **13** e.g.: 31W-A075X050-**13A**

Optional: SF4 Ra<=0.38µm Electropolish → code **43** e.g.: 31W-A075X050-**43A**

DATASHEETS



Last updates can be found on our website - www.aerreinox.it

In the interests of development of the product, we reserve the right to change the specifications without prior notice